



### Features

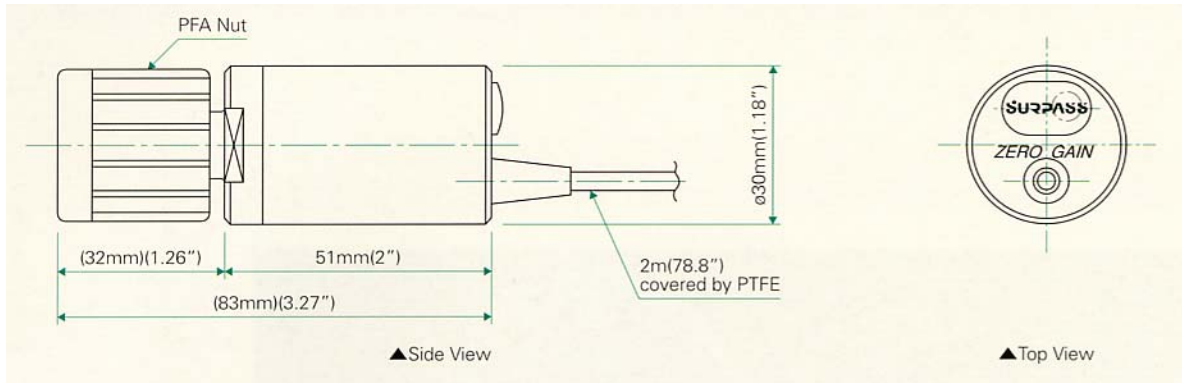
- **Fluoropolymers**  
All parts in contact with fluid are made of Fluoropolymer that ensure the superior chemical resistance and cleanness of the product.
- **4-20 mA**  
With the output of 4-20 mA, the product is compatible with all types of controller so that it is most applicable to installation in a system.
- **Sensing Technology**  
Adopting the Surpass's original technology to cope with the gas permeability of Fluoropolymers, the product has excellent corrosive resistance.
- **Approvals**  
CE Marking, UL
- **2m (78.8") Cable**  
Provided with the standard cable that has the sufficient cable length of 2m (78.8"), the product can support any cabling design.
- **Applicable media**  
Liquids & Gases

### **TPL - □ - AU-N**

- └ 3: Rated Pressure Range 0~300 kPa (0~43.5 psig)
- └ 5: Rated Pressure Range 0~500 kPa (0~72.5 psig)



**Dimensions**



**Specifications**

Model	TPL-3AU-N	TPL-5AU-N
Rated Pressure Range	0~300 kPa, 0~3 bar (0~43.5 psig)	0~500 kPa, 0~5 bar (0~72.5 psig)
Excessive Pressure	150% of Rated Pressure Range	
Pressure Type	Gauge Pressure	
Material in contact with Fluid	PTFE	
Linearity	± 2% of full scale	
Hysteresis	± 2% of full scale	
Temperature Effects	± 0.05% of full scale / °C	
Output	DC4 ~20 mA	
Power Supply	DC24 V ± 10%	
Current Consumption	Max. 40 mA	
Environmental Temperature	15~50 °C (59~122 °F)	
Fluid Temperature	15~80 °C (59~176 °F)	
Standard Cable Length	2 m (78.8")	
Inlet/Outlet Type for In-line	½" Flared Process Connection Product is packaged with 1PFA nut for flared connection	
Approvals	CE	

**Wiring Diagram**

